



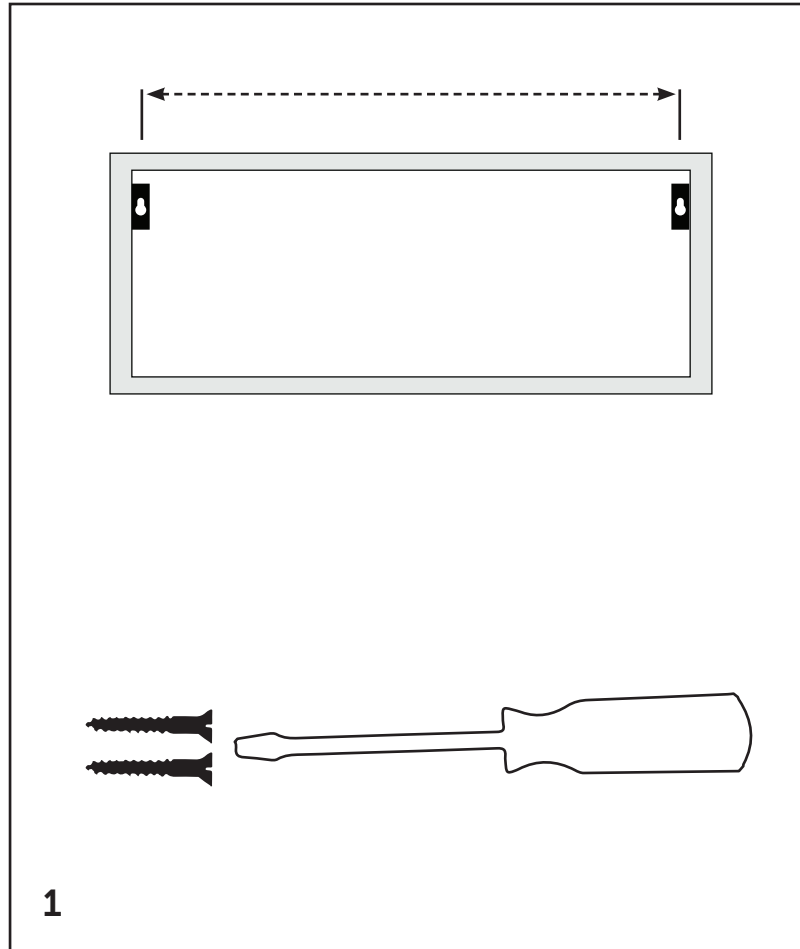
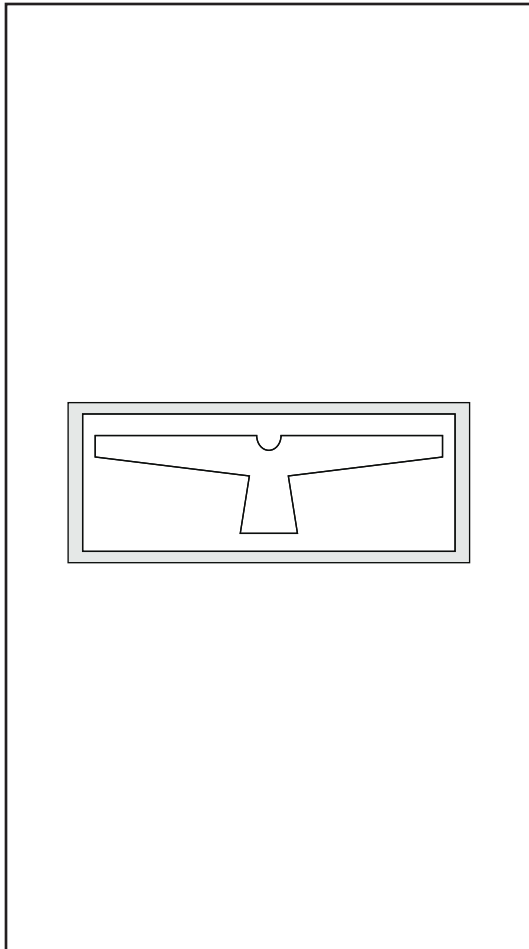
Threaded Kimono in Frame

Installation Guide

phillips
collection
every piece a conversation

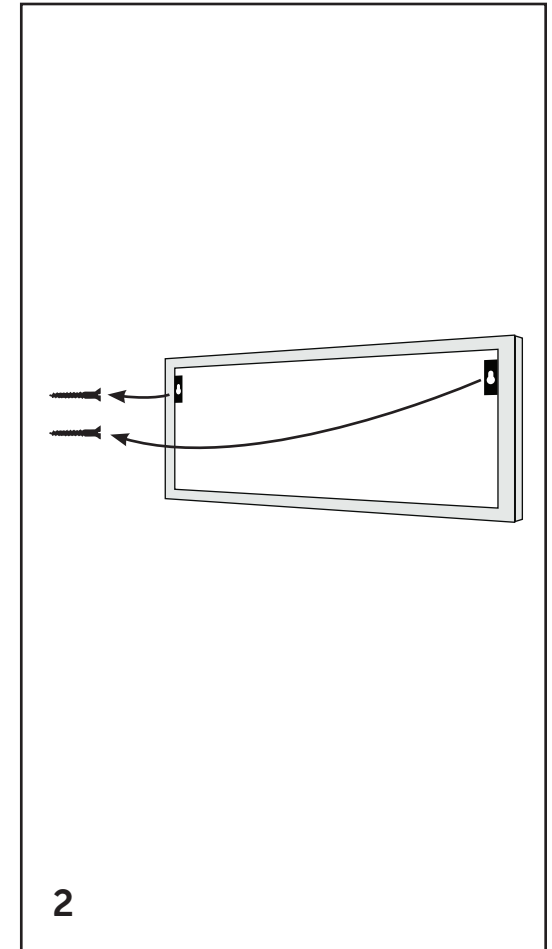
Threaded Kimono in Frame

Wall Mounting



Measure the distance between the two holes on the back of Threaded Kimono in Frame.

Place two screws into the wall surface at the measured distance and at the same level.



Place the holes on back of Threaded Kimono in Frame onto the screws.

(screws not included)

