



Mirror

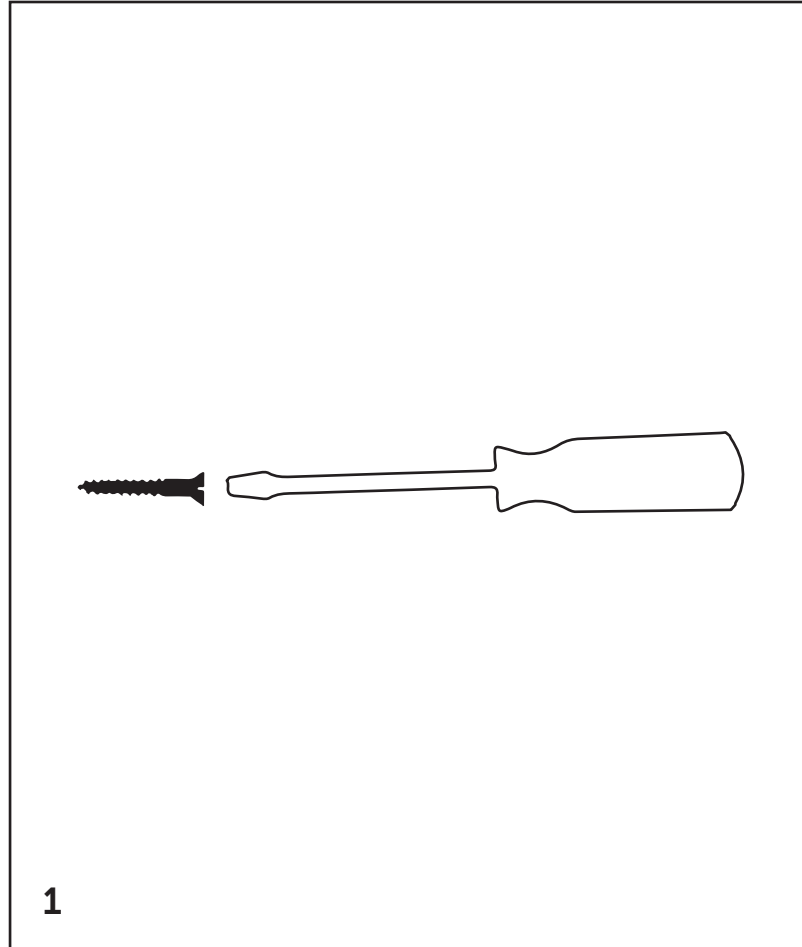
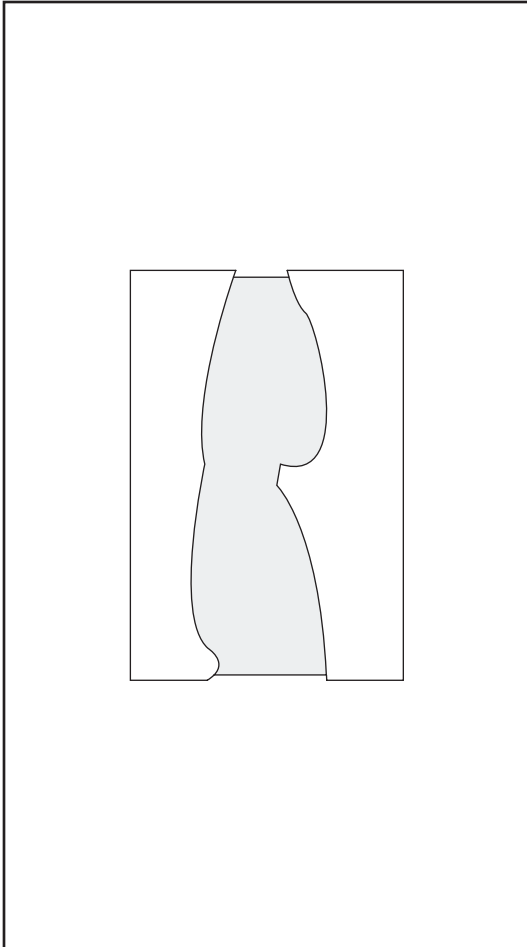
Installation Guide

phillips
collection

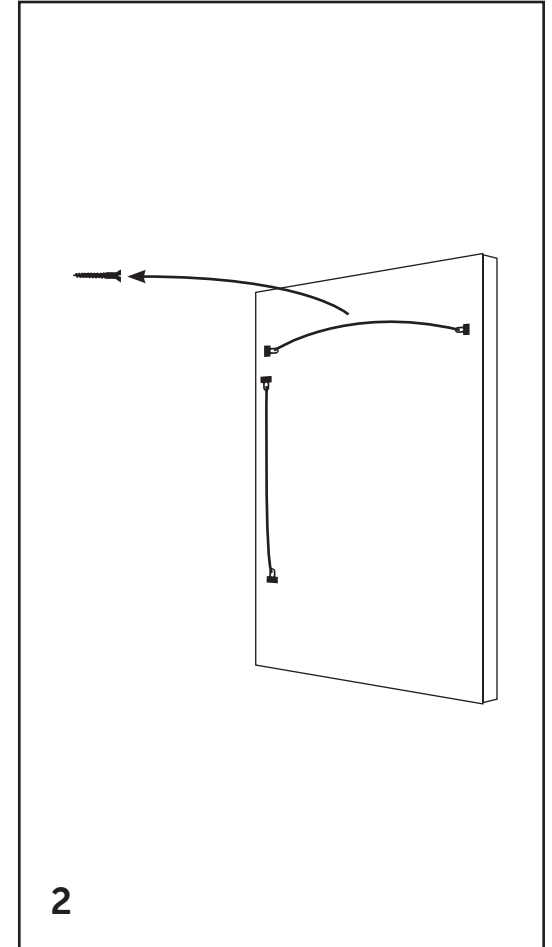
every piece a conversation

Mirror

Wall Mounting



Place one screw into wall surface.



Choose the orientation you'd like.

Place the wire on the back of the Mirror on the screw.

(screws not included)

